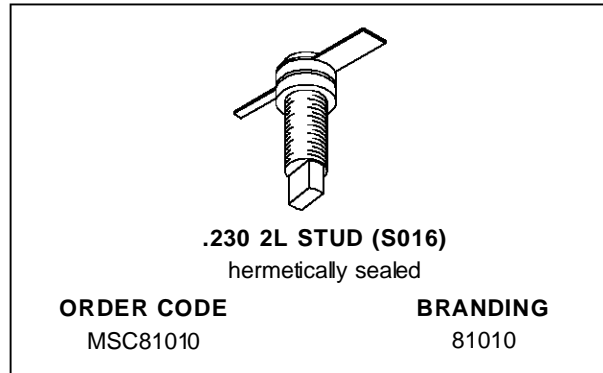


## RF & MICROWAVE TRANSISTORS GENERAL PURPOSE AMPLIFIER APPLICATIONS

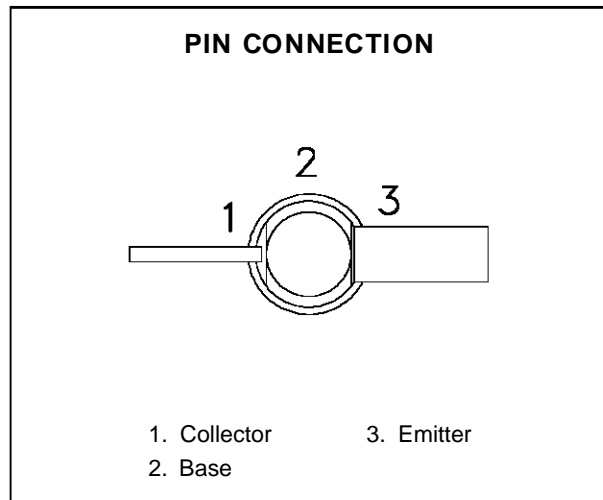
- EMITTER BALLASTED
- VSWR CAPABILITY  $\infty:1$  @ RATED CONDITIONS
- HERMETIC STRIPAC® PACKAGE
- $P_{OUT} = 10$  W MIN. WITH 10 dB GAIN @ 1 GHz



### DESCRIPTION

The MSC81010 is a common base hermetically sealed silicon NPN microwave transistor utilizing a fishbone, emitter ballasted geometry with a refractory/gold metallization system. This device is capable of withstanding infinite load VSWR at any phase angle under rated conditions.

The MSC81010 is designed for Class C amplifier applications in the 0.4 - 1.2 GHz frequency range.



### ABSOLUTE MAXIMUM RATINGS ( $T_{case} = 25^{\circ}C$ )

Symbol	Parameter	Value	Unit
$P_{DISS}$	Power Dissipation*	29	W
$I_C$	Device Current*	1.0	A
$V_{CC}$	Collector-Supply Voltage*	35	V
$T_J$	Junction Temperature	200	$^{\circ}C$
$T_{STG}$	Storage Temperature	- 65 to +200	$^{\circ}C$

### THERMAL DATA

$R_{TH(j-c)}$	Junction-Case Thermal Resistance*	6.0	$^{\circ}C/W$
---------------	-----------------------------------	-----	---------------

\*Applies only to rated RF amplifier operation

# MSC81010

## ELECTRICAL SPECIFICATIONS (T<sub>case</sub> = 25°C)

### STATIC

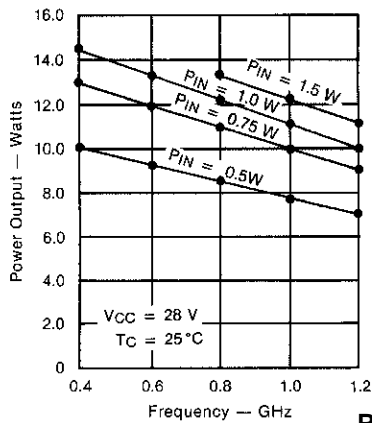
Symbol	Test Conditions		Value			Unit
			Min.	Typ.	Max.	
BV <sub>CBO</sub>	I <sub>C</sub> = 1mA	I <sub>E</sub> = 0mA	45	—	—	V
BV <sub>EBO</sub>	I <sub>E</sub> = 1mA	I <sub>C</sub> = 0mA	3.5	—	—	V
BV <sub>CER</sub>	I <sub>C</sub> = 10mA	R <sub>BE</sub> = 10Ω	45	—	—	V
I <sub>CBO</sub>	V <sub>CB</sub> = 28V		—	—	2.5	mA
h <sub>FE</sub>	V <sub>CE</sub> = 5V	I <sub>C</sub> = 500mA	15	—	120	—

### DYNAMIC

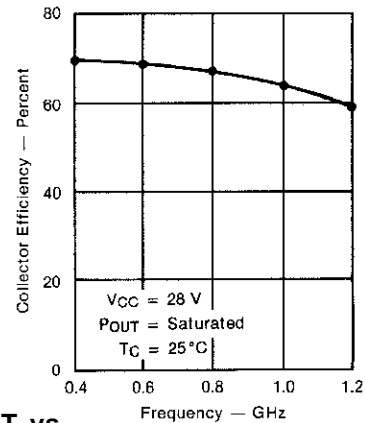
Symbol	Test Conditions			Value			Unit
				Min.	Typ.	Max.	
P <sub>OUT</sub>	f = 1.0 GHz	P <sub>IN</sub> = 1.0 W	V <sub>CC</sub> = 28 V	10	11	—	W
η <sub>c</sub>	f = 1.0 GHz	P <sub>IN</sub> = 1.0 W	V <sub>CC</sub> = 28 V	60	64	—	%
G <sub>P</sub>	f = 1.0 GHz	P <sub>IN</sub> = 1.0 W	V <sub>CC</sub> = 28 V	10	10.4	—	dB
C <sub>OB</sub>	f = 1 MHz	V <sub>CB</sub> = 28 V		—	—	10	pF

### TYPICAL PERFORMANCE

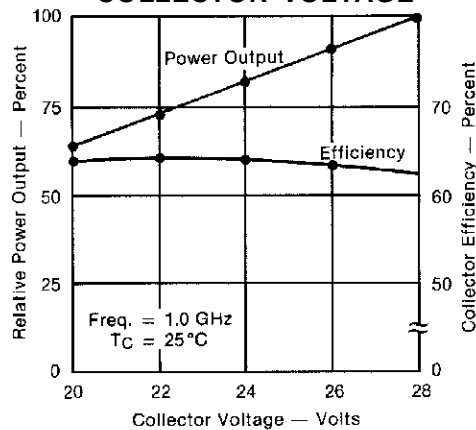
#### POWER OUTPUT vs FREQUENCY



#### FREQUENCY vs COLLECTOR EFFICIENCY



#### RELATIVE POWER OUTPUT vs COLLECTOR VOLTAGE

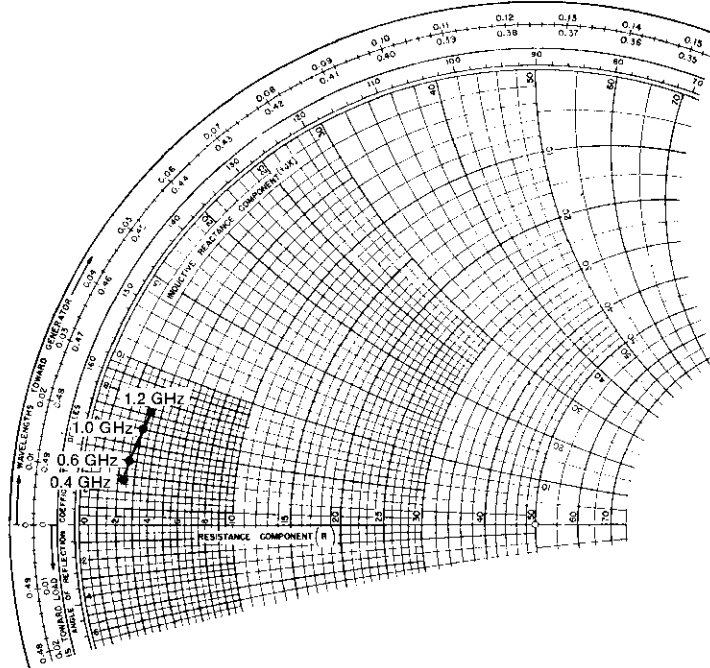


IMPEDANCE DATA

TYPICAL INPUT IMPEDANCE

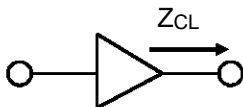


$P_{IN} = 1.0\text{ W}$   
 $V_{CC} = 28\text{ V}$   
 Normalized to 50 ohms

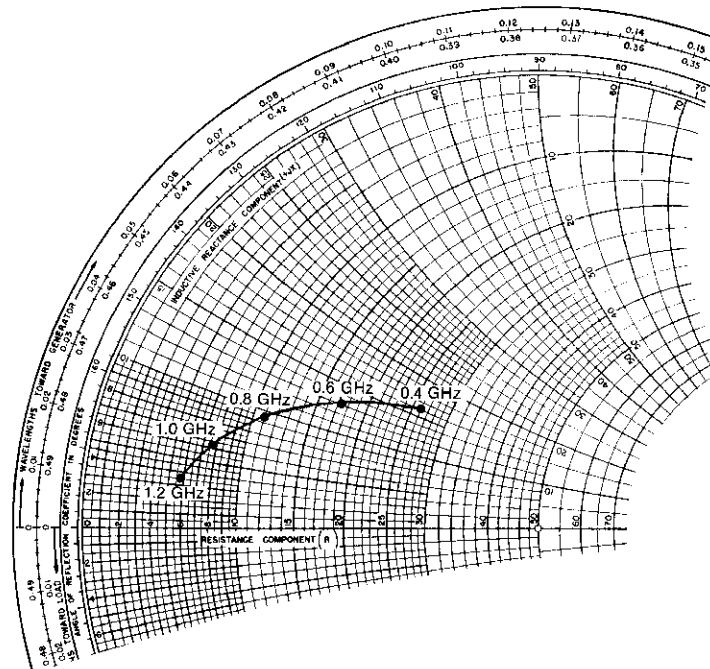


FREQ.	$Z_{IN} (\Omega)$	$Z_{CL} (\Omega)$
0.4 GHz	$2.3 + j 2.7$	$26.0 + j 16.0$
0.6 GHz	$2.5 + j 4.0$	$17.2 + j 13.0$
0.8 GHz	$2.8 + j 5.0$	$11.0 + j 9.5$
1.0 GHz	$3.0 + j 6.0$	$7.7 + j 6.3$
1.2 GHz	$3.3 + j 7.2$	$5.8 + j 3.5$

TYPICAL COLLECTOR LOAD IMPEDANCE

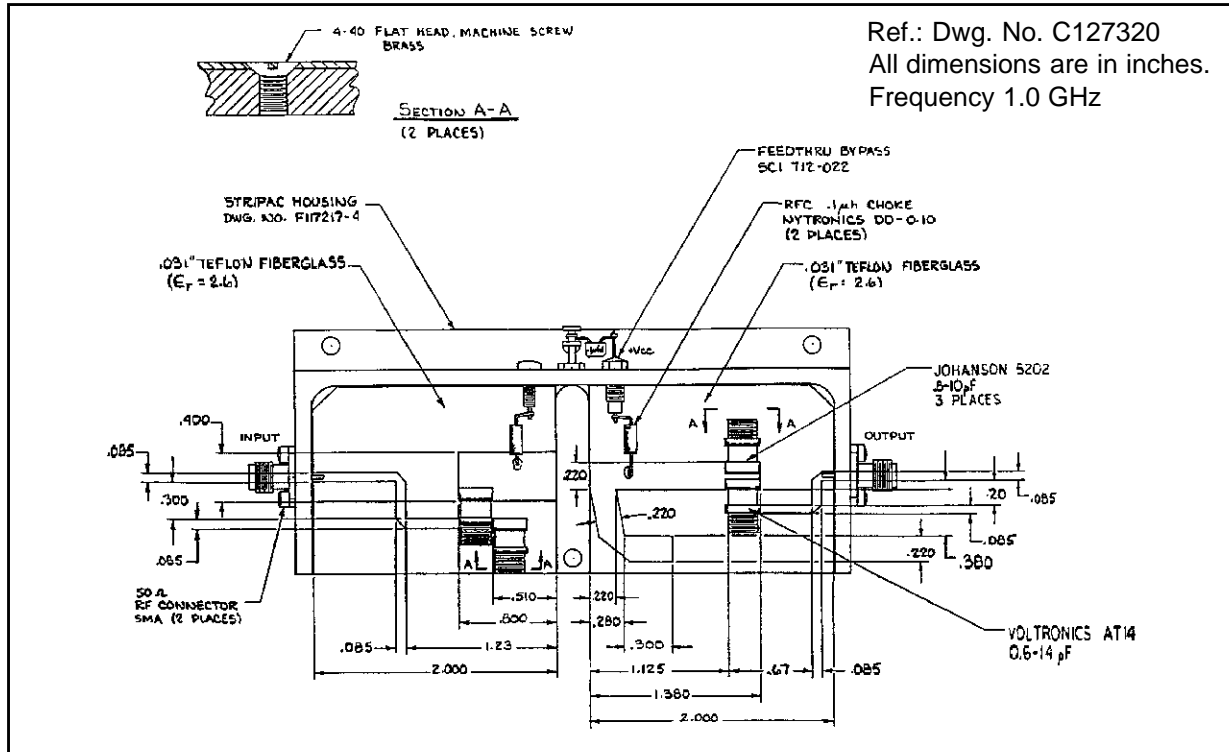


$P_{OUT} = \text{Saturated}$   
 $V_{CC} = 28\text{ V}$   
 Normalized to 50 ohms

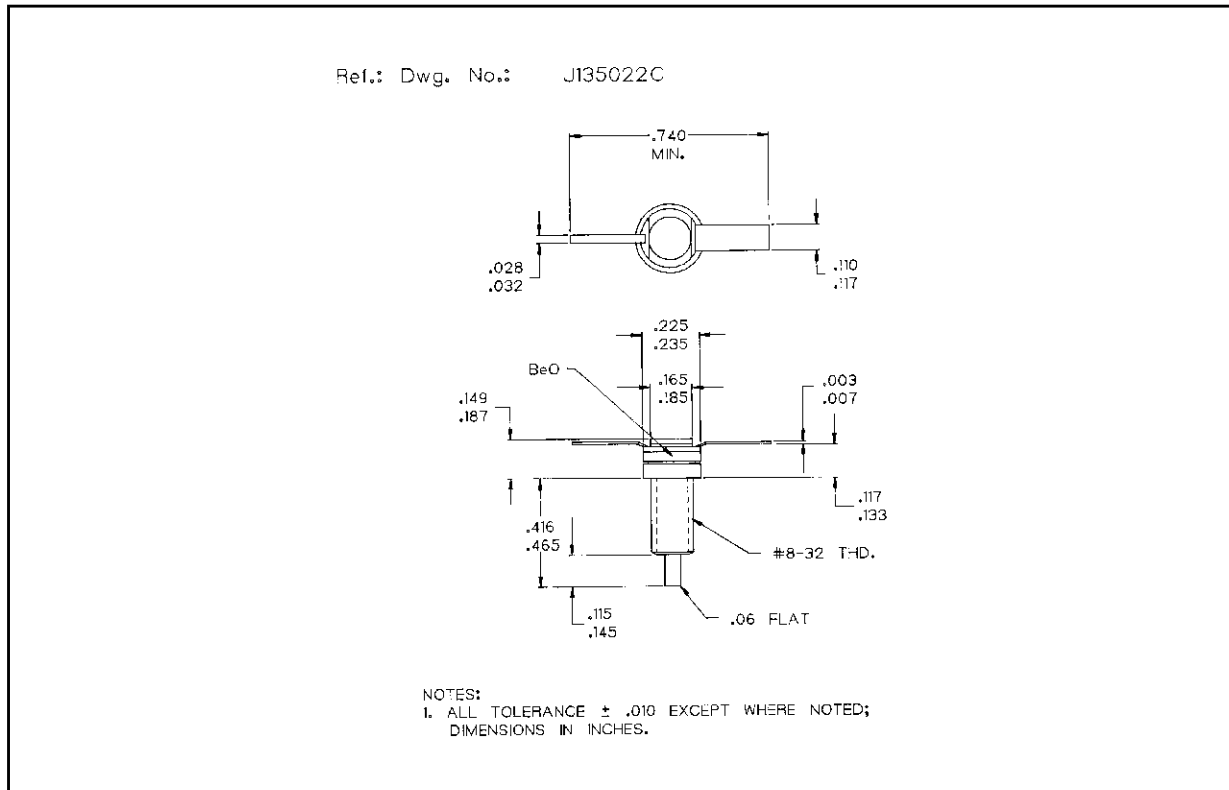


# MSC81010

## TEST CIRCUIT



## PACKAGE MECHANICAL DATA



Information furnished is believed to be accurate and reliable. However, SGS-THOMSON Microelectronics assumes no responsibility for the consequences of use of such information nor for any infringement of patents or other rights of third parties which may result from its use. No license is granted by implication or otherwise under any patent or patent rights of SGS-THOMSON Microelectronics. Specifications mentioned in this publication are subject to change without notice. This publication supersedes and replaces all information previously supplied. SGS-THOMSON Microelectronics products are not authorized for use as critical components in life support devices or systems without express written approval of SGS-THOMSON Microelectronics.

© 1994 SGS-THOMSON Microelectronics - All Rights Reserved

SGS-THOMSON Microelectronics GROUP OF COMPANIES

Australia - Brazil - France - Germany - Hong Kong - Italy - Japan - Korea - Malaysia - Malta - Morocco - The Netherlands -  
Singapore - Spain - Sweden - Switzerland - Taiwan - Thailand - United Kingdom - U.S.A